



**PCORE**  
ELECTRIC

**POWER SYSTEMS**

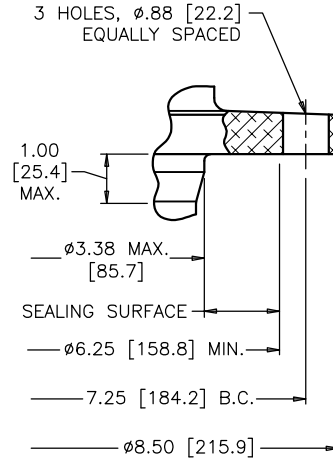
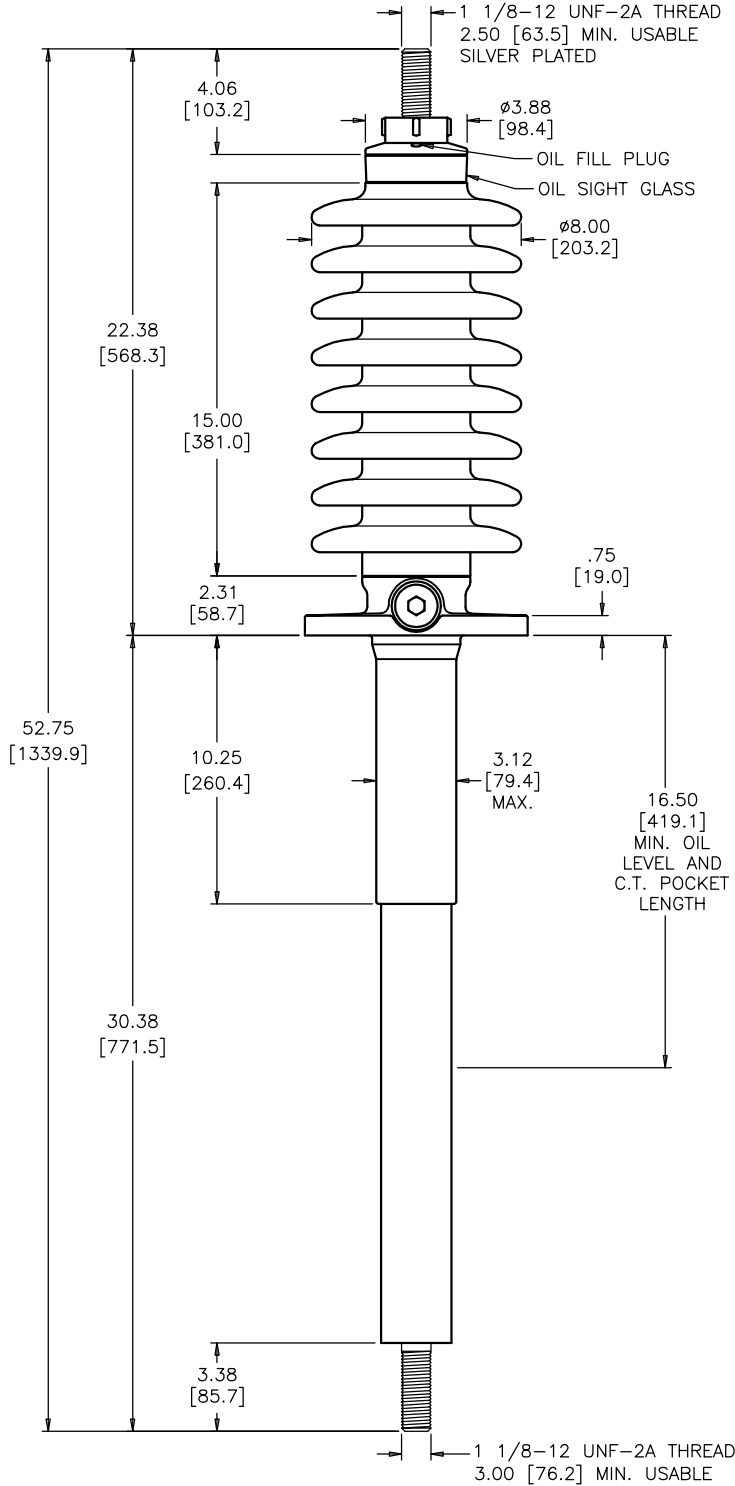
<b>KV CLASS</b> 34.5 kV	<b>BIL</b> 200 kV	<b>Uy</b> 22 kV
<b>CURRENT RATING</b>		
1200 AMP BOTTOM CONNECTION		
<b>MIN. CREEP</b> 41.00 [1041.4]	<b>MIN. STRIKE</b> 17.00 [431.8]	
<b>CREEP/Uy</b> 1.86 [47.3]	<b>STD.</b> IEEE C57.19.00/01	
PCB CONTENT OF OIL IS LESS THAN 1 ppm		

DWG.	CATALOG NUMBER	GLAZE COLOR
SD	B-89311-274	BROWN
SD	B-89311-274-70	LT. GRAY

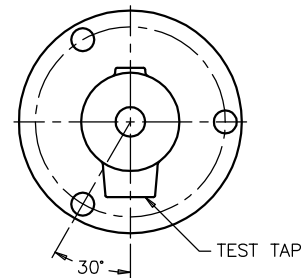
<b>DATE</b> 1-16-13	<b>REV. DATE</b>
<b>MAXIMUM ALTITUDE</b> 10000 ft [3000 m]	
<b>NET WEIGHT</b> 74 lb [34 kg]	
<b>ANGLE OF INCLINATION FROM THE VERTICAL</b> 0° TO 70°	

**TITLE**  
PRC BUSHING

1 1/8-12 TOP & BOTTOM THREAD  
MODIFIED FLANGE WITH 3 HOLES  
.88 [22.2] LONGER BELOW FLANGE



**MOUNTING FLANGE DETAIL**



**FLANGE ALIGNMENT DIAGRAM TOP VIEW**

DIMENSIONS IN INCHES [MILLIMETERS]

REVISION

SCALE 1/5

NOTE TO PURCHASER:  
ALL SALES OF PCORE PRODUCTS ARE SUBJECT TO OUR STANDARD TERMS AND CONDITIONS AND THE LIMITED WARRANTIES THEREUNDER